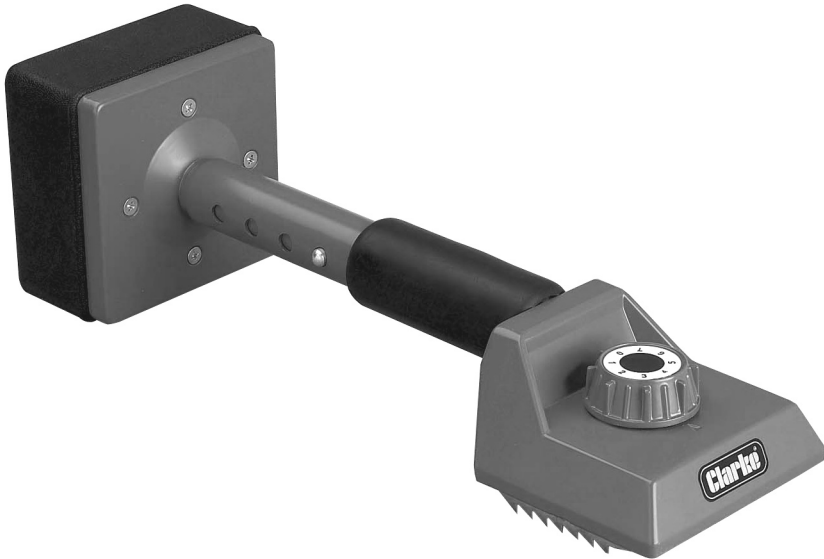


Clarke®



CARPET KNEE KICKER

MODEL NO: CHT768

PART NO: 1801768

USER INSTRUCTIONS



GC0114

INTRODUCTION

Thank you for purchasing this CLARKE Carpet Kicker.

This Carpet Kicker allows you to manoeuvre the carpet into its final position and 'knee-kick' the edge onto the gripper rail with ease and precision.

It is suitable for use with all carpets that are intended to be fitted by means of a gripper rail. You should check to ensure that your carpet may be fitted using a carpet kicker.

FEATURES

- Overall Length: 470 - 605 mm
- Tooth depth adjustment
- Overall length adjustment

Before attempting to use this product, please read this manual thoroughly and follow the instructions carefully. In doing so you will ensure the safety of yourself and that of others around you, and you can look forward to your purchase giving you long and satisfactory service.

GUARANTEE

This product is guaranteed against faulty manufacture for a period of 12 months from the date of purchase. Please keep your receipt which will be required as proof of purchase.

This guarantee is invalid if the product is found to have been abused or tampered with in any way, or not used for the purpose for which it was intended.

Faulty goods should be returned to their place of purchase, no product can be returned to us without prior permission.

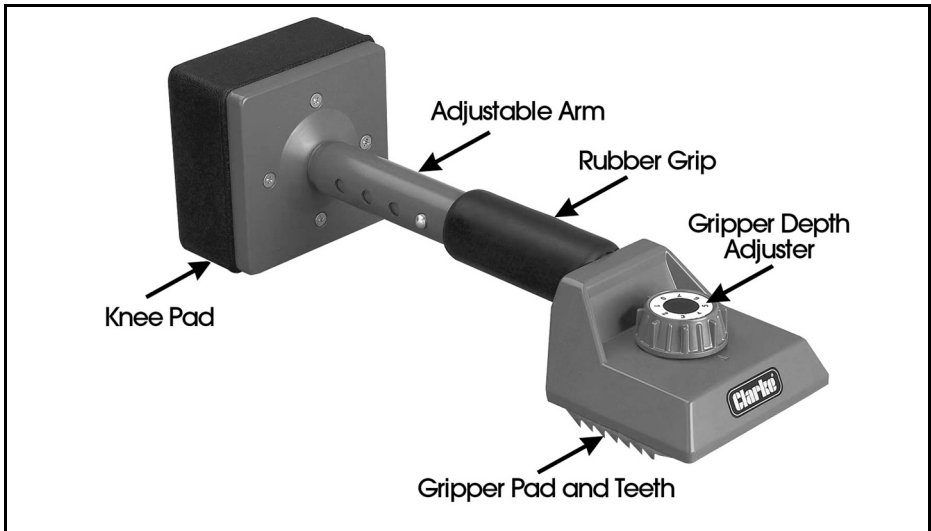
This guarantee does not effect your statutory rights.

SAFETY PRECAUTIONS

IMPORTANT: Failure to follow these precautions could result in personal injury and/or damage to property.

1. Take care handling the kicker. The head has sharp blades and teeth.
2. Never leave the kicker with the gripper pad and teeth facing upwards when the safety cover is not fitted.
3. Always concentrate on the job in hand, no matter how trivial it may seem. Be aware that accidents are caused by carelessness due to familiarity.
4. Keep the work area clean and well lit. Cluttered areas invite injuries.
5. Keep children away from the work area.
6. Store idle equipment. When not in use, tools should be locked up in a dry location out of reach of children.
7. Never tamper with the product or modify it in any way, as this could prove to be dangerous and will invalidate the guarantee. Only use the product for the purpose for which it is intended.

PREPARATION FOR USE



The carpet kicker is used for the final fitting of a carpet and the following conditions are therefore assumed to be in effect.

- The gripper rail has been correctly positioned around the edges of the room and properly secured to the floor.
- The underlay has been laid and secured to the floor in the area bounded by the gripper rail.
- The carpet has been cut according to the required room shape.
- The carpet has been correctly orientated and placed approximately in position in the room where it is to be laid.
- The carpet has been spread out in the room so that it is flat to the underlay.

The length of the kicker can be adjusted to best suit the user's preference and working space.

The teeth can be set to protrude to a depth to best suit the thickness of the carpet to be fitted.

The protective cover should always be fitted when the kicker is not in use and should be left in place whilst adjusting the kicker's length. The teeth must be retracted (setting 0) for the cover to be fitted. Keep the cover handy for re-use during the job.

To remove the cover, grip it and pull it away from the gripper pad.

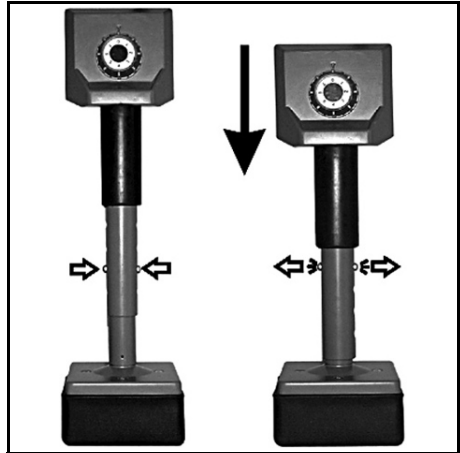
LENGTH ADJUSTMENT

The telescopic steel tube is locked by means of spring loaded pins which lock the tubes in position through holes in the tubes.

There are two locking pins. These allow the kicker to be adjusted in length from 470 mm to 605 mm.

To adjust the length:

1. Press the two pins inwards and hold them in this position whilst rotating one tube so the pins are out of alignment so they remain compressed.
2. Adjust to the required length by moving the ends of the kicker closer together or further apart as required, then rotate the tubes until the holes and pins are realigned. The pins will spring out and lock the tubes in position.



TEETH DEPTH ADJUSTMENT

The teeth depth may be adjusted by means of the rotary depth control knob.

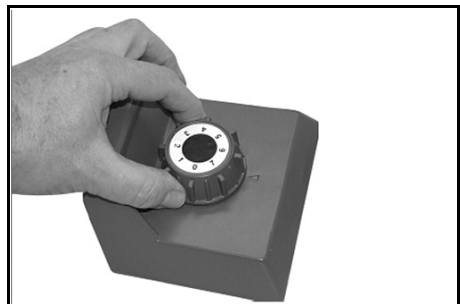
There are eight settings, 0 to 7. The lowest setting is '0' for thin pile carpets. The maximum setting is '7' for deep pile carpets.

Determine the teeth depth required for the carpet to be laid.

To do this, test on an off-cut of carpet to ensure teeth depth selection is correct.

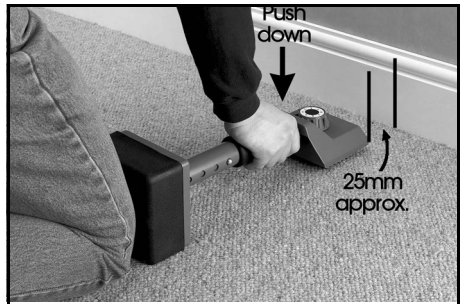
The teeth should be adjusted to grip the base material of the carpet and not to pierce it, as this could damage the underlay.

Rotate the adjuster knob to raise or lower the teeth.



METHOD OF USE

1. Set the teeth to a depth to suit the carpet thickness, as described previously.
2. Kneel close to one corner of the longest edge of the carpet and place the kicker about 25 mm from the edge of the gripper rail and facing the skirting board.
3. Sink the teeth into the carpet and apply reasonable downward pressure on the handle-grip.
4. Use your knee to 'kick' the padded end of the kicker so as to jog the carpet forward, whilst pushing down on the edge of the carpet so that it is held by the carpet gripper.
5. Work your way along this edge repeating the operation, then cut and tuck the carpet edge between the gripper rail and skirting board.
6. Repeat along the opposite edge of the carpet and other edges as required.
7. If in doubt about the fitting procedure contact an experienced fitter.



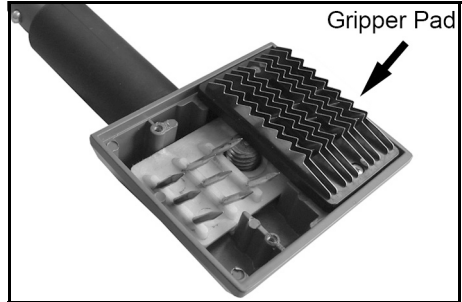
MAINTENANCE

The only maintenance required is to ensure that after use, any carpet pile that may have attached itself to the gripper pad is completely removed, and the kicker is stored with the grippers tooth protective cover in place.

RENEWING A GRIPPER PAD ASSEMBLY

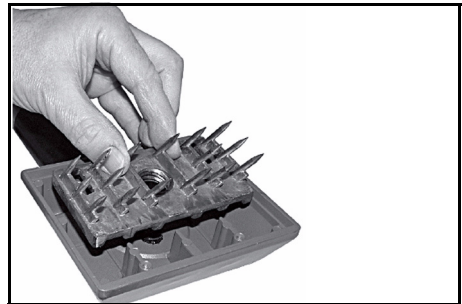
Two gripper blade pad assemblies are each secured in place with two screws and are removed as follows:

1. Turn the tooth setting knob fully clockwise so that the teeth are fully retracted.
2. Undo the two screws using a cross-head screwdriver and lift off the assembly.
3. Replace the pads with the blade points facing away from the padded end & correctly seated in the recess.
4. Refit the screws and tighten using a cross-head screwdriver.



REMOVING THE TOOTH BLOCK

1. Remove the gripper pads as described previously.
2. Taking care of the sharp teeth, rotate the tooth setting adjuster knob anticlockwise until the block becomes disengaged from the adjuster assembly, then lift it free.
3. Replace in reverse order, screwing the adjuster knob clockwise fully, until the '0' on the knob dial aligns with the marker on the body.
4. Finally, refit the gripper pads as described above.



SPARE PARTS

The following parts are available from your Clarke dealer:

- Teeth Block Assembly: Part No CHT768001
- Gripper Blade Pad Assembly: Part No CHT768002
- Gripper Blade fixing screws (x2): Part No CHT768003

A SELECTION FROM THE VAST RANGE OF

Clarke®

QUALITY PRODUCTS

AIR COMPRESSORS

From DIY to industrial, Plus air tools, spray guns and accessories.

GENERATORS

Prime duty or emergency standby for business, home and leisure.

POWER WASHERS

Hot and cold, electric and engine driven - we have what you need

WELDERS

Mig, Arc, Tig and Spot. From DIY to auto/industrial.

METALWORKING

Drills, grinders and saws for DIY and professional use.

WOODWORKING

Saws, sanders, lathes, mortisers and dust extraction.

HYDRAULICS

Cranes, body repair kits, transmission jacks for all types of workshop use.

WATER PUMPS

Submersible, electric and engine driven for DIY, agriculture and industry.

POWER TOOLS

Angle grinders, cordless drill sets, saws and sanders.

STARTERS/CHARGERS

All sizes for car and commercial use.



PARTS & SERVICE: 020 8988 7400
E-mail: Parts@clarkeinternational.com or Service@clarkeinternational.com
SALES: UK 01992 565333 or Export 00 44 (0)1992 565335

Clarke® INTERNATIONAL Hemnall Street, Epping, Essex CM16 4LG
www.clarkeinternational.com